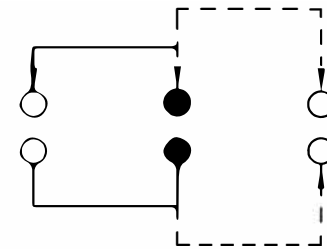
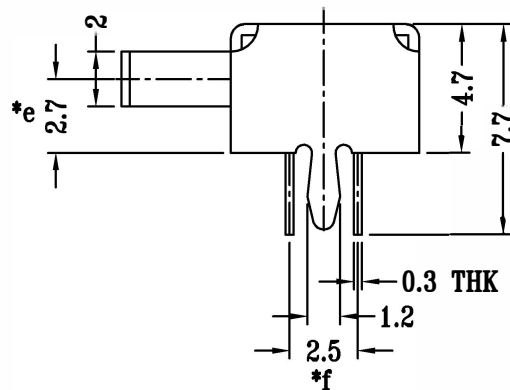
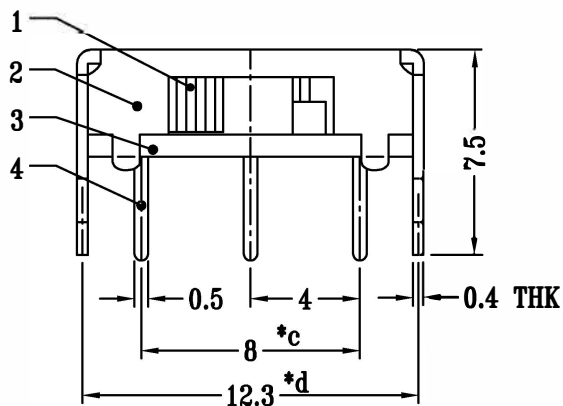
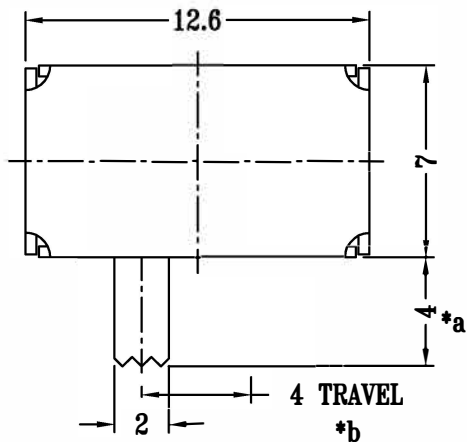
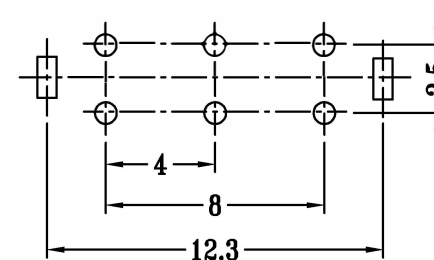


CAD FILE:



SCHEMATIC (NON-SHORTING)



**P.C.B LAYOUT
BOTTOM VIEW**

注：“*”表示关键尺寸(6个)

NO.	PARTS	MATERIALS	Q'TY	FINISH	TOLERANCE UNLESS SPECIFIED					
8										
7										
6	SPRING PLATE	PBS STRIP	1	NATURAL	WITHIN 1.5mm : ±0.1mm	A	2012-8-7	初版		曾鹏
5	CONTACT CLIP	PBS STRIP	2	Ag CLAD	OVER 1.5mm : ±0.2mm	ISSUE	DATE	DESCRIPTIONS OF REVISION		APPD.
4	TERMINAL	BRASS STRIP	6	Ag PLATED	TITLE : HORIZONTAL SLIDE SWITCH			UNIT : mm	DRWG NO.: LT-DR-SK22H07G4-00	
3	BASE	PHENOLIC RESIN	1	NATURAL	MODEL: SK22H07G4高温金码			SCALE: 7:2	DWN.	吴开庆 2012-8-7
2	FRAME	STEEL STRIP	1	Ni PLATED	东莞市德沃电子科技有限公司			APPD.	曾小伟	2012-8-7
1	KNOB	PA66	1	BLACK				APPD.	曾鹏	2012-8-7